

# SAMBO SE Series Quarter-Turn

## SE Series Quarter-turn Gear Actuators >>>

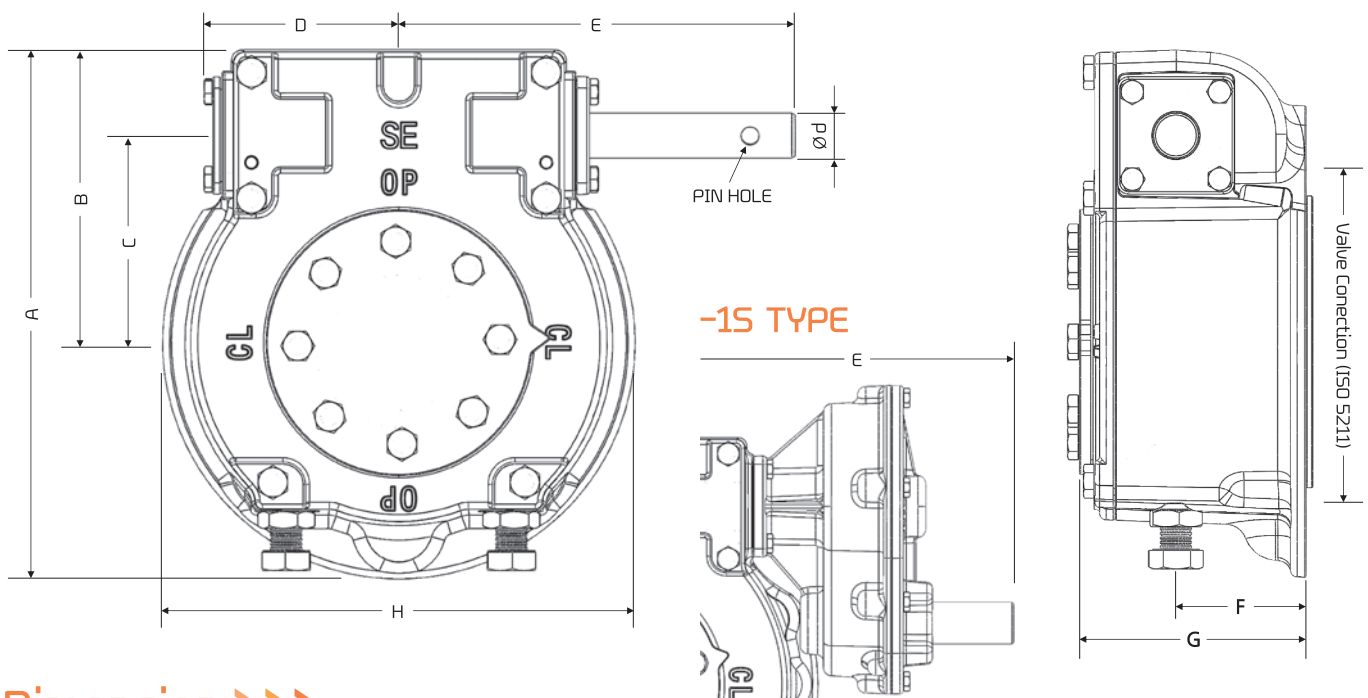
- The Sambo SE series is designed to meet stringent requirements and provide the necessary durability and reliability.
- All castings are spheroidal graphite cast iron, and CLASS 65-45-12 has high strength and impact resistance.
- All products use integral worm shafts and high strength bearings to support axial and radial loads.
- Two types of separable bushing and integral type make maintenance easy.
- It has double sealing structure and excellent waterproof and dust proof capability.
- Finish painting is Kovinyl wash primer.

## Application >>>

- The Sambo SE series is a 1/4 turn gear actuator with ball, plug, can be applied to butterfly valves, it can also be used for general devices.

## Features >>>

- 8 model products. & 5500 N.m Torque Range. & ip67 STANDARD.
- -20 degrees to 80 degrees. & According to all mounting bases iso5211.
- All castings ductile iron(Class 65-45-12) excellent strength and impact resistance.
- The worm is a single-body, heat-treated high-strength carbon steel.
- Waterproof and dust proof thanks to double sealing structure IP67 STANDARD.
- Application of high strength worm gear.
- Use adjustable stop bolts +-5 degrees.
- Removable bush type for easy maintenance.
- Open-close-open on the cover is free to change direction with the position indicator.



## Dimension >>>

unit : mm

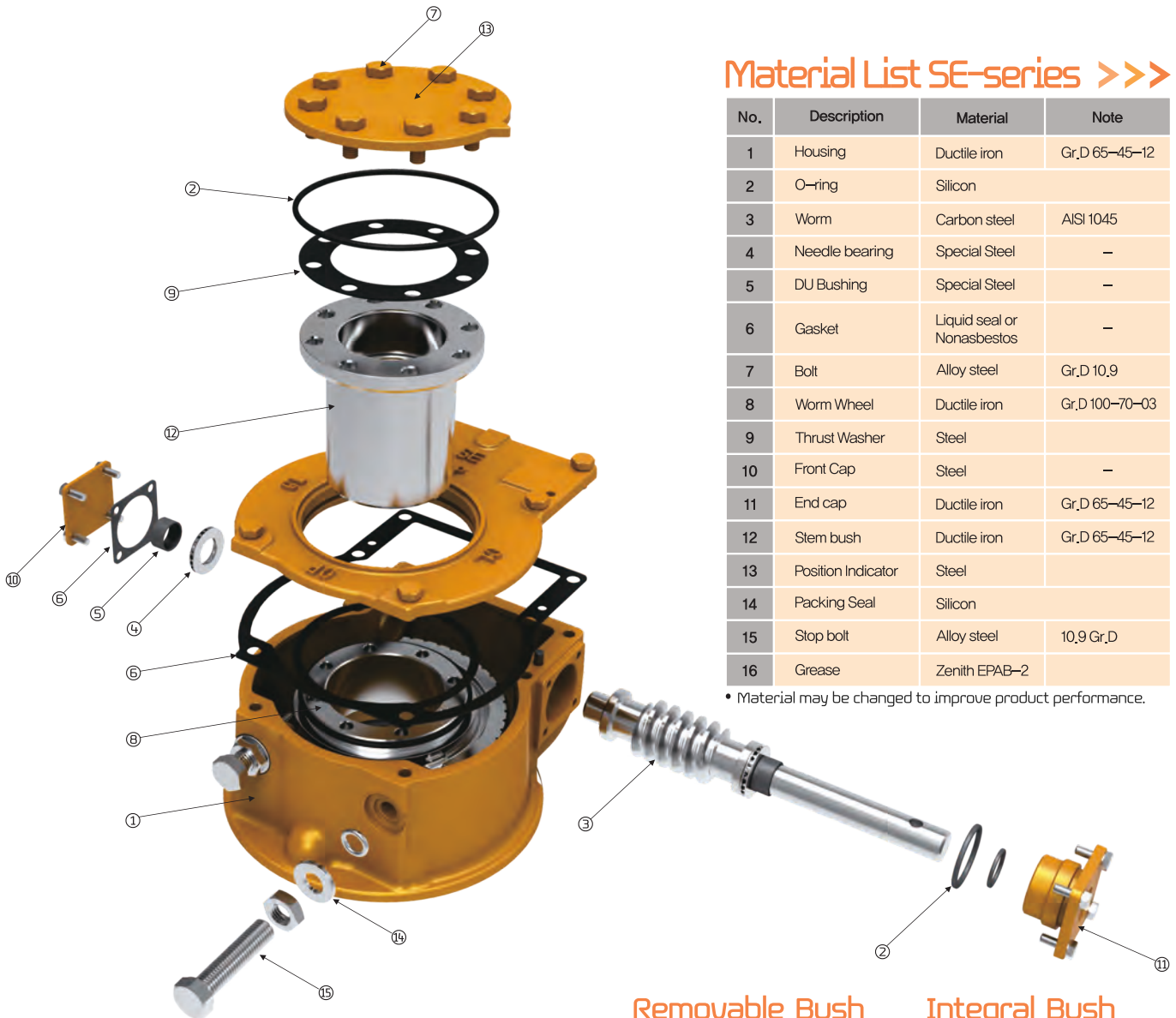
Model	A	B	C	D	E	F	G	H	Ød
SE-10	129	69	43,5	45	121	36	68	120	12
SE-12	155	82	55	54	129	43	77	145	14
SE-14	192,5	105	72,5	65	167	52	90	175	16
SE-16	234	129	92	86,5	175,5	58	99	210	20
SE-20	272	147	107	96,5	180	63	110	250	25
SE-20-1S					258,5				
SE-25	316	166	122,5	106,5	210	65	114	300	
SE-25-1S					268,5				

Size and component specification in this catalogue are subject to change without prior notice for quality improvement.  
 \* Mark has been changed and updated.

## Material List SE-series >>>

No.	Description	Material	Note
1	Housing	Ductile iron	Gr.D 65-45-12
2	O-ring	Silicon	
3	Worm	Carbon steel	AISI 1045
4	Needle bearing	Special Steel	-
5	DU Bushing	Special Steel	-
6	Gasket	Liquid seal or Nonasbestos	-
7	Bolt	Alloy steel	Gr.D 10,9
8	Worm Wheel	Ductile iron	Gr.D 100-70-03
9	Thrust Washer	Steel	
10	Front Cap	Steel	-
11	End cap	Ductile iron	Gr.D 65-45-12
12	Stem bush	Ductile iron	Gr.D 65-45-12
13	Position Indicator	Steel	
14	Packing Seal	Silicon	
15	Stop bolt	Alloy steel	10,9 Gr.D
16	Grease	Zenith EPAB-2	

• Material may be changed to improve product performance.



### Removable Bush

### Integral Bush



## Performance Specifications >>>

Model	Ratio	Torque (N.m)		M,A ±10%	Valve Conection (Iso5211)		Max. Stem (mm)			weight (kg)
		Output	Input		std.	option	Bore	Square	Height	
SE-10	38:1	300	26,1	11,5	F10	F07, F05	25	20	63	3,2
SE-12	42:1	600	50,4	11,9	F12	F10, F07	35	28	72	5,5
SE-14	46:1	1400	102,2	13,7	F14	F12, F10	45	36	86	10
SE-16	50:1	2600	178,1	14,6	F16	F14, F12, F10	58	46	95	14
SE-20	54:1	3800	233,1	16,3	(F20)	F16, F14, F12	68	54	105	21
SE-20-1S	135:1		101,6	37,4						25
SE-25	58:1	5500	317,9	17,3	F25	(F20), F16, F14	80	64	108	29
SE-25-1S	145:1		138,2	39,8						33

Size and component specification in this catalogue are subject to change without prior notice for quality improvement.  
\* Mark has been changed and updated.